

STEELDECK®

The logo features the word "STEELDECK" in a bold, sans-serif font. Below the text is a stylized, three-dimensional representation of a steel truss structure, showing a top surface, a front edge, and a side edge with a triangular truss pattern.

PLATFORM SYSTEMS

Catalog

May 2007

DECKS:

Standard Decks 1

Deck – Specials:

Triangle Decks 2

Low Profile Decks 3

4' Round Deck 4

3' Quadrant Deck 5

4' Quadrant Deck 6

5' Quadrant Deck 7

6' Quadrant Deck 8

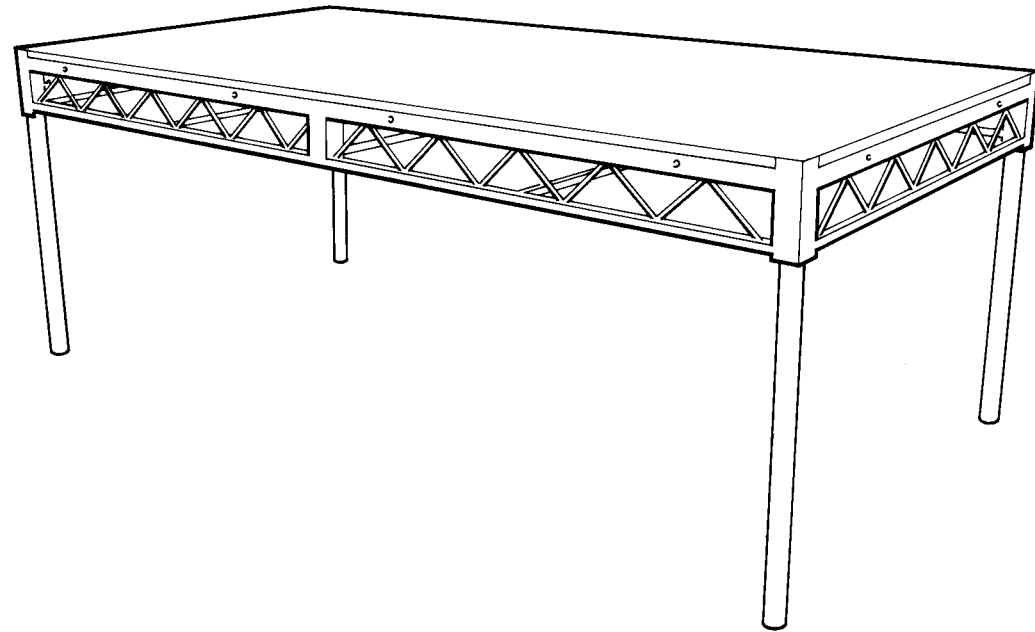
16' Diameter Circle 9

20' Diameter Circle 10

24' Diameter Circle 11

Decks

Standard Decks



DESCRIPTION:

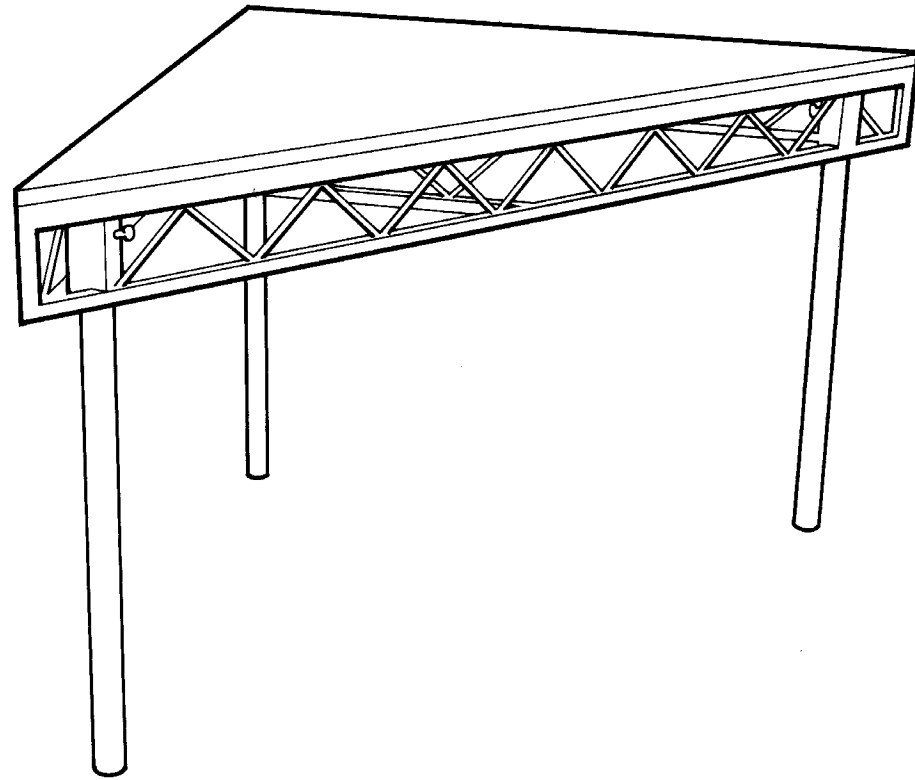
Standard Steeldeck® platform constructed using steel truss frame with high quality $\frac{3}{4}$ " plywood tops. Tops are insulated from frames to reduce noise and vibration. Standard deck will accept 4 legs of $1\frac{1}{2}$ " Schedule 40 steel pipe. Legs are held in place by a hand knob. Decks are connected to each other by bolting through pre-drilled holes along each edge.

TECHNICAL SPECIFICATIONS:

DECK SIZE	LEG POSTS	CARRYING WEIGHT	LOAD CAPACITY
4' x 8'	4	155 lbs.	4000 lbs.
3' x 8'	4	125 lbs.	3000 lbs.
2' x 8'	4	90 lbs.	2000 lbs.
4' x 6'	4	125 lbs.	3000 lbs.
3' x 6'	4	110 lbs.	2250 lbs.
2' x 6'	4	80 lbs.	1500 lbs.
4' x 4'	4	80 lbs.	2000 lbs.
3' x 4'	4	68 lbs.	1500 lbs.
2' x 4'	4	50 lbs.	1000 lbs.
3' x 3'	4	56 lbs.	1126 lbs.

RELATED ACCESSORIES:

- Legs and Couplers
- Leveling Screwjacks
- Casters
- Guardrails
- Step Units
- Car Ramps
- Bracing



DESCRIPTION:

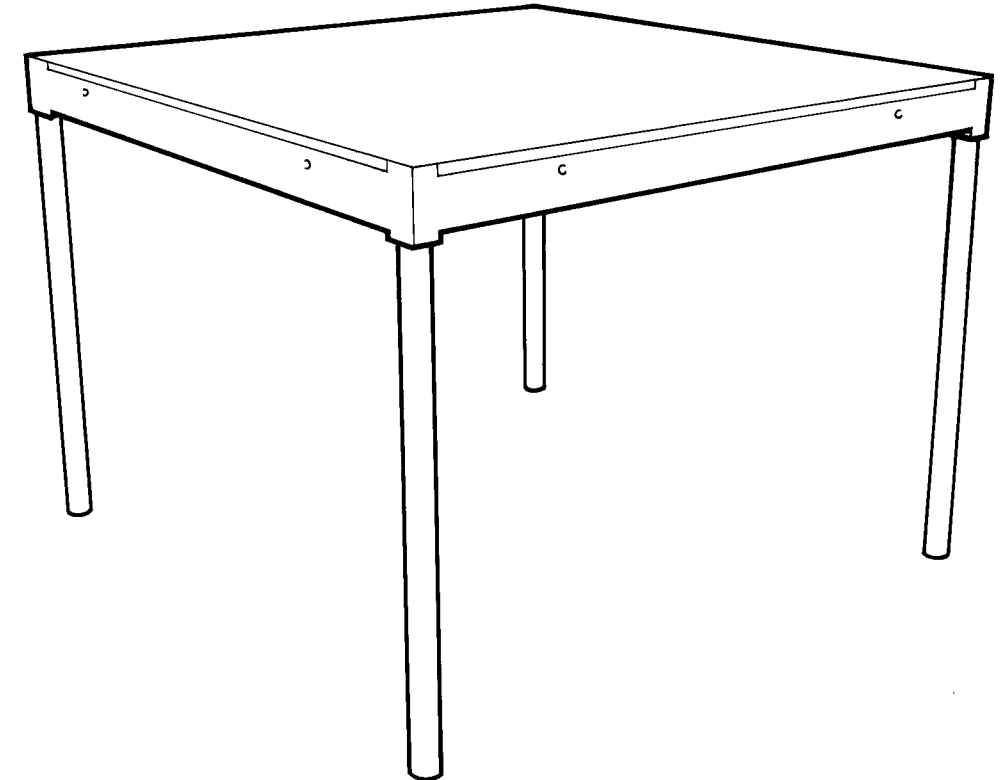
Steeldeck® platform constructed using steel truss frame with high quality 3/4" plywood tops. Tops are insulated from frames to reduce noise and vibration. Standard deck will accept 3 legs of 1 1/2" Schedule 40 steel pipe. Legs are held in place by a hand knob. Decks are connected to each other by bolting through pre-drilled holes along each edge.

TECHNICAL SPECIFICATIONS:

DECK SIZE	LEG POSTS	CARRYING WEIGHT	LOAD CAPACITY
4' x 4'	3	56 lbs.	1000 lbs.
3' x 3'	3	40 lbs.	562.5 lbs.

RELATED ACCESSORIES:

- Legs and Couplers
- Leveling Screwjacks
- Casters
- Guardrails
- Step Units
- Car Ramps
- Bracing



DESCRIPTION:

Low Profile Steeldeck® platform constructed using steel tube frame with high quality 3/4" plywood tops. Tops are insulated from frames to reduce noise and vibration. Deck will accept 4 legs of 1 1/2" Schedule 40 steel pipe. Legs are held in place by a hand knob. Decks are connected to each other and to standard Steeldeck® platforms by bolting through pre-drilled holes along each edge. Useful when building a platform off a shallow step.

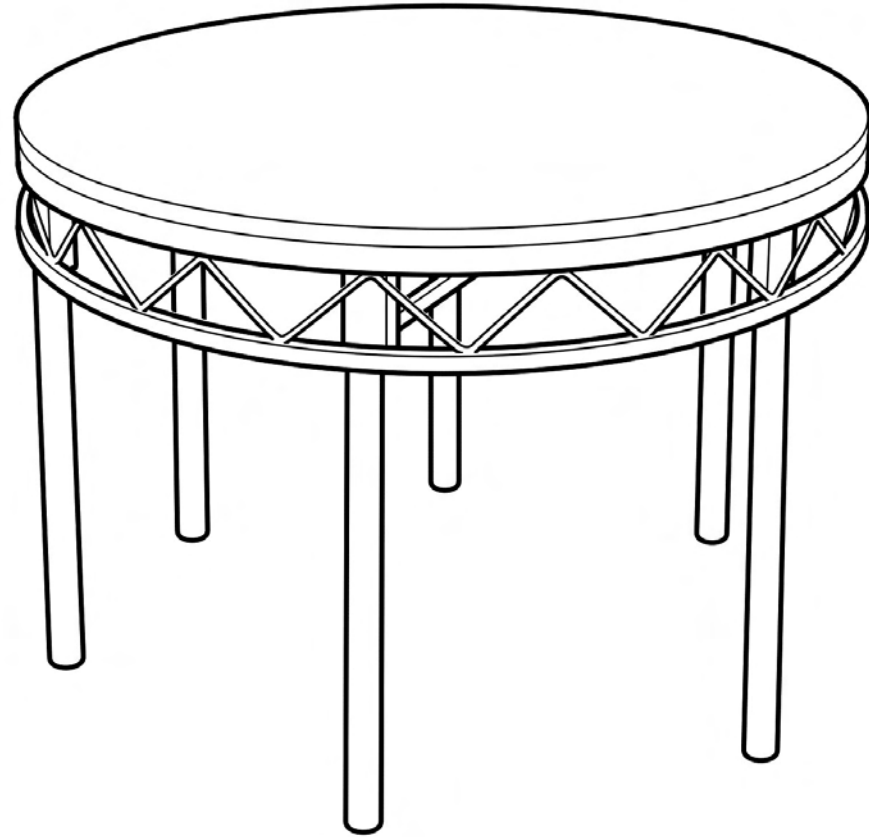
TECHNICAL SPECIFICATIONS:

DECK SIZE	LEG POSTS	CARRYING WEIGHT	LOAD CAPACITY
4' x 4'	4	84 lbs.	2000 lbs.
3' x 4'	4	72 lbs.	1500 lbs.
2' x 4'	4	54 lbs.	1000 lbs.

RELATED ACCESSORIES:

- Legs and Couplers
- Leveling Screwjacks
- Casters
- Guardrails
- Step Units
- Car Ramps
- Bracing

4' Round Deck



DESCRIPTION:

4' Round Deck. Same construction as standard Steeldeck® platform using steel truss frame with high quality 3/4" plywood tops. Tops are insulated from frames to reduce noise and vibration. Standard deck will accept 6 legs of 1 1/2" Schedule 40 steel pipe. Legs are held in place by a hand knob. Decks can not be connected to other decks. Suitable for use only as a low-rise dance/display platform.

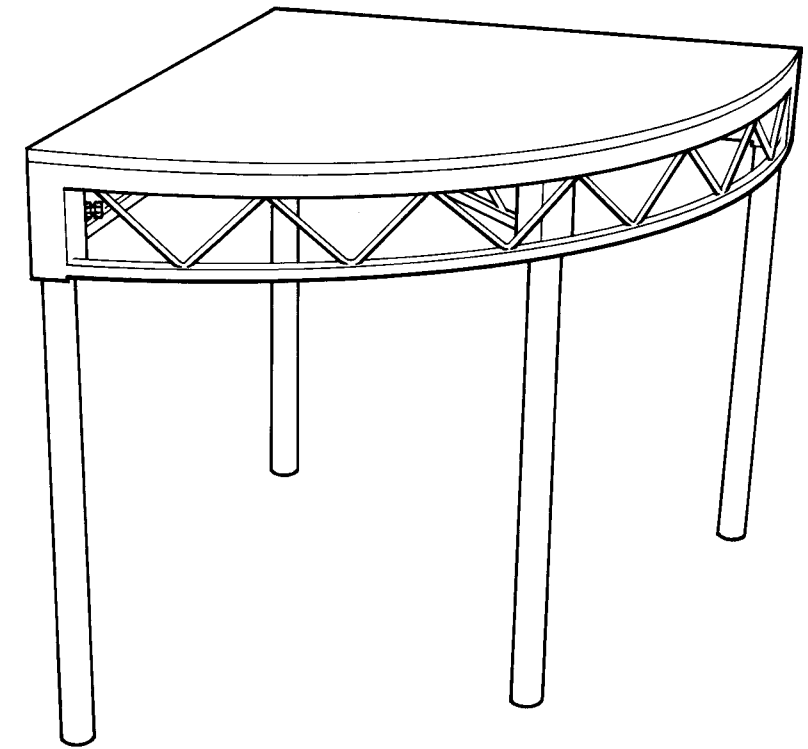
TECHNICAL SPECIFICATIONS:

DECK SIZE	LEG POSTS	CARRYING WEIGHT	LOAD CAPACITY
4' dia.	6	80 lbs.	1570 lbs.

RELATED ACCESSORIES:

- Legs and Couplers
- Leveling Screwjacks
- Casters

3' Quadrant Deck



DESCRIPTION:

3' x 3' Quadrant Deck. Same construction as standard Steeldeck® platform using steel truss frame with high quality 3/4" plywood tops. Tops are insulated from frames to reduce noise and vibration. Deck will accept 4 legs of 1 1/2" Schedule 40 steel pipe. Legs are held in place by a hand knob. Decks are connected to each other by bolting through pre-drilled holes along 3' edges. Four together make a 6' diameter circle. Can be used to round off stage corners.

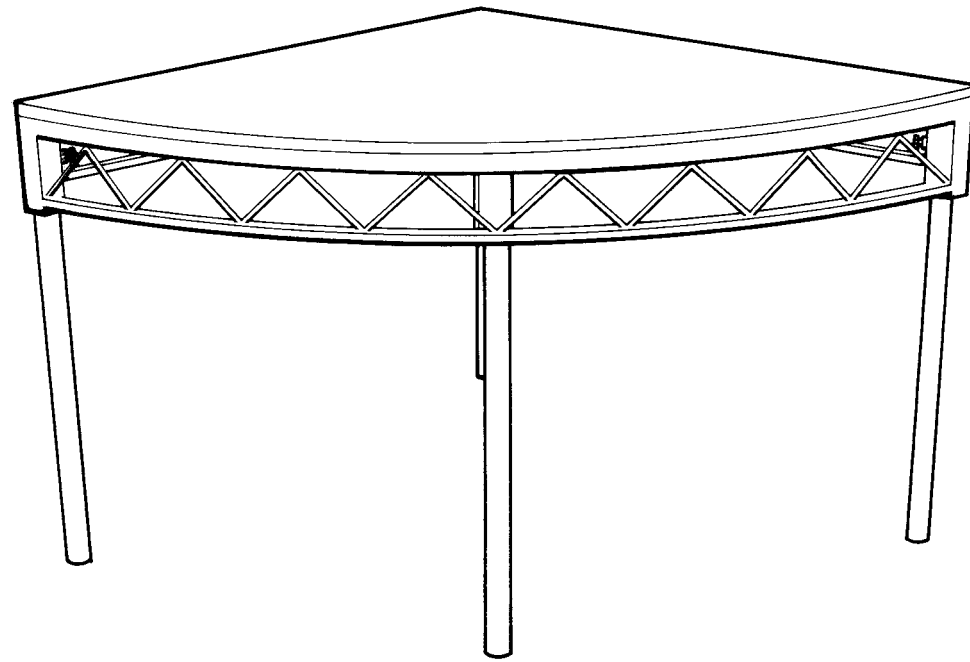
TECHNICAL SPECIFICATIONS:

DECK SIZE	LEG POSTS	CARRYING WEIGHT	LOAD CAPACITY
3' x 3'	4	52 lbs.	884 lbs.

RELATED ACCESSORIES:

- Legs and Couplers
- Leveling Screwjacks
- Casters
- Step Units
- Car Ramps
- Bracing

4' Quadrant Deck



DESCRIPTION:

4' x 4' Quadrant Deck. Same construction as standard Steeldeck® platform using steel truss frame with high quality 3/4" plywood tops. Tops are insulated from frames to reduce noise and vibration. Deck will accept 4 legs of 1 1/2" Schedule 40 steel pipe. Legs are held in place by a hand knob. Decks are connected to each other by bolting through pre-drilled holes along 4' edges. Four together make an 8' diameter circle. Can be used to round off stage corners.

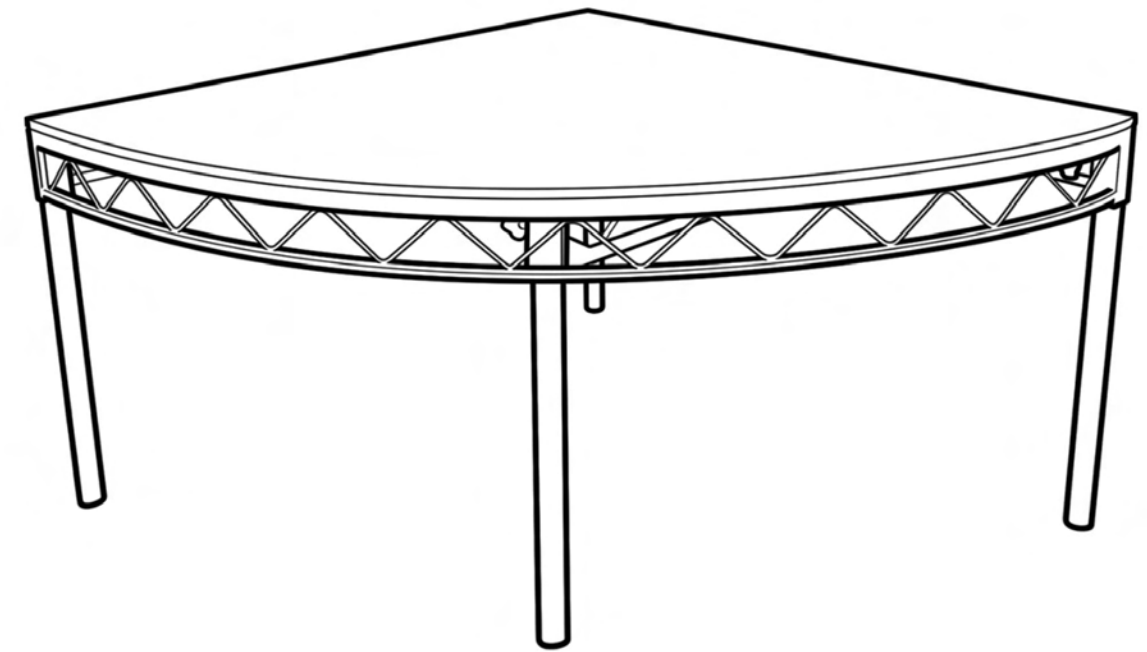
TECHNICAL SPECIFICATIONS:

DECK SIZE	LEG POSTS	CARRYING WEIGHT	LOAD CAPACITY
4' x 4'	4	70 lbs.	1570 lbs.

RELATED ACCESSORIES:

- Legs and Couplers
- Casters
- Car Ramps
- Leveling Screwjacks
- Step Units
- Bracing

5' Quadrant Deck



DESCRIPTION:

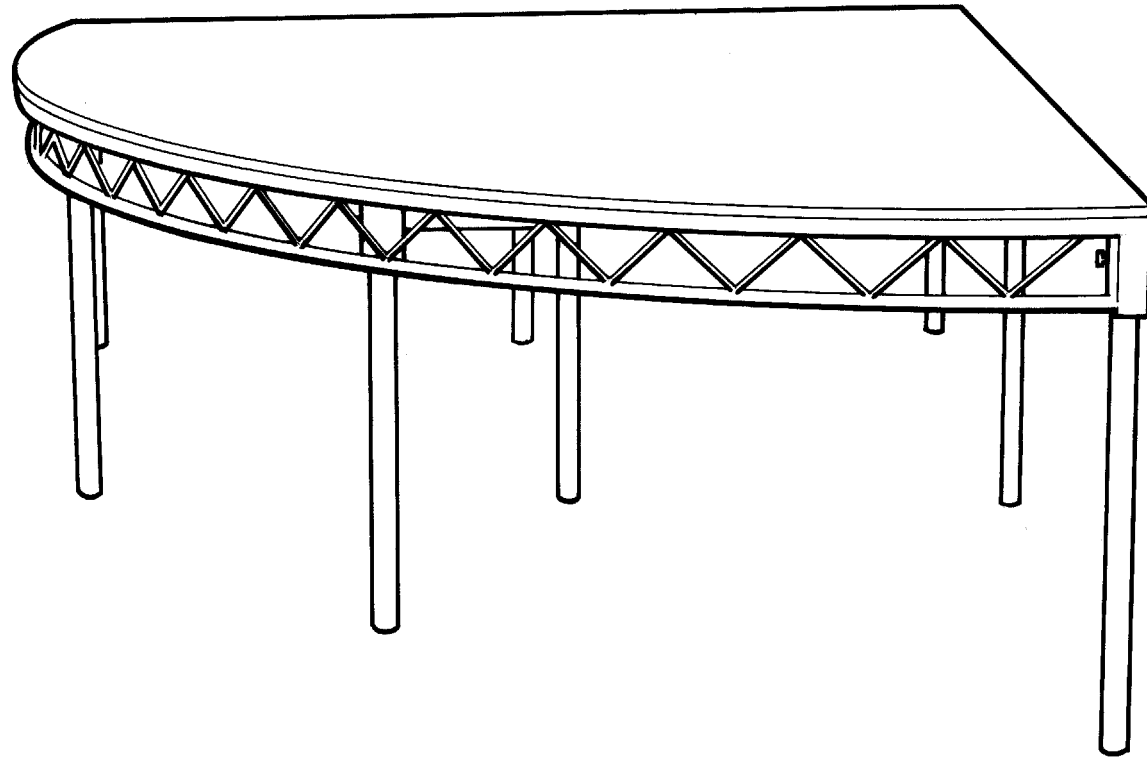
5' x 5' Quadrant Deck. Same construction as standard Steeldeck® platform using steel truss frame with high quality 3/4" plywood tops. Tops are insulated from frames to reduce noise and vibration. Deck will accept 4 legs of 1 1/2" Schedule 40 steel pipe. Legs are held in place by a hand knob. Decks are connected to each other by bolting through pre-drilled holes along 5' edges. Four together make a 10' diameter circle. Can be used to round off stage corners.

TECHNICAL SPECIFICATIONS:

DECK SIZE	LEG POSTS	CARRYING WEIGHT	LOAD CAPACITY
5' x 5'	4	110 lbs.	2454 lbs.

RELATED ACCESSORIES:

- Legs and Couplers
- Casters
- Car Ramps
- Leveling Screwjacks
- Step Units
- Bracing



DESCRIPTION:

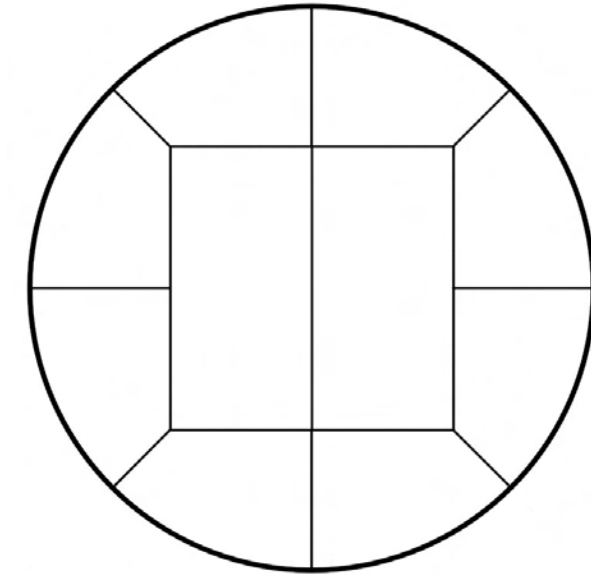
6' x 6' Quadrant Deck. Same construction as standard Steeldeck® platform using steel truss frame with high quality 3/4" plywood tops. Tops are insulated from frames to reduce noise and vibration. Deck will accept 8 legs of 1 1/2" Schedule 40 steel pipe. Legs are held in place by a hand knob. Decks are connected to each other by bolting through pre-drilled holes along 6' edges. Four together make a 12' diameter circle. Can be used to round off stage corners.

TECHNICAL SPECIFICATIONS:

DECK SIZE	LEG POSTS	CARRYING WEIGHT	LOAD CAPACITY
6' x 6'	8	155 lbs.	3534 lbs.

RELATED ACCESSORIES:

- Legs and Couplers
- Casters
- Car Ramps
- Leveling Screwjacks
- Step Units
- Bracing



DESCRIPTION:

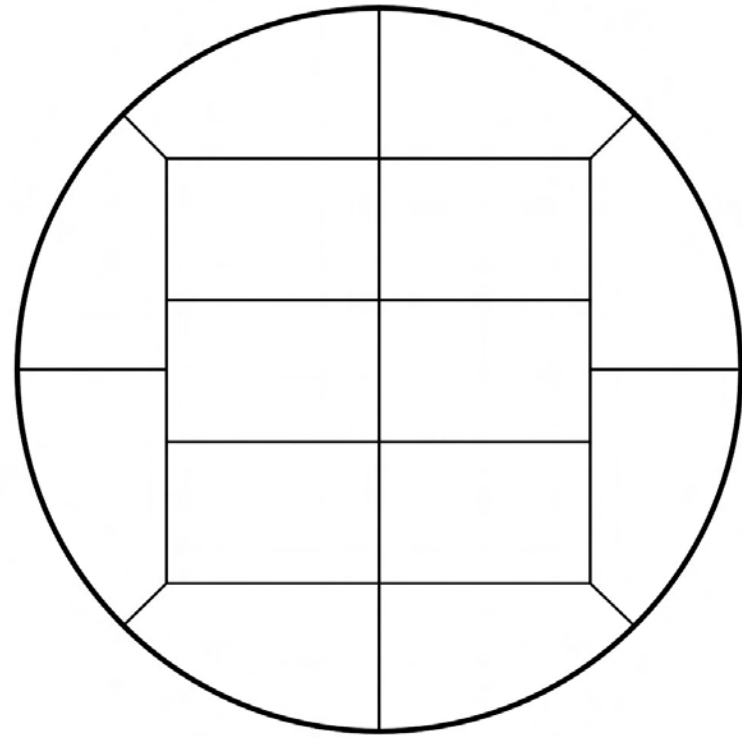
16' Diameter Deck. Same construction as standard Steeldeck® platform using steel truss frame with high quality 3/4" plywood tops. Tops are insulated from frames to reduce noise and vibration. Deck will accept 5 legs of 1 1/2" Schedule 40 steel pipe. Legs are held in place by a hand knob. Decks are connected to each other by bolting through pre-drilled holes along straight edges. Four left hand and four right hand decks around two 4' x 8' decks make a 16' diameter circle. Can be used to round off stage corners.

TECHNICAL SPECIFICATIONS:

DECK SIZE	LEG POSTS	CARRYING WEIGHT	LOAD CAPACITY
16' segment 4' x 4' x 5'	5	92 lbs.	2142 lbs.

RELATED ACCESSORIES:

- Legs and Couplers
- Casters
- Car Ramps
- Leveling Screwjacks
- Step Units
- Bracing



DESCRIPTION:

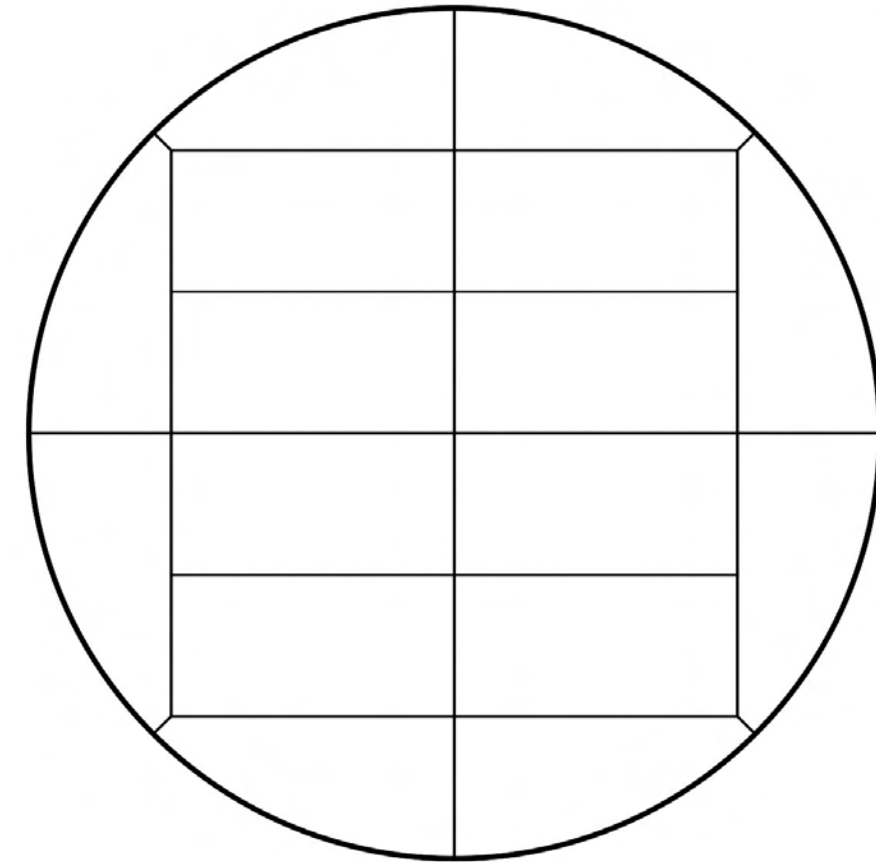
20' Diameter Deck. Same construction as standard Steeldeck® platform using steel truss frame with high quality 3/4" plywood tops. Tops are insulated from frames to reduce noise and vibration. Deck will accept 6 legs of 1 1/2" Schedule 40 steel pipe. Legs are held in place by a hand knob. Decks are connected to each other by bolting through pre-drilled holes along straight edges. Four left hand and four right hand decks around six 4' x 6' decks make a 20' diameter circle. Can be used to round off stage corners.

TECHNICAL SPECIFICATIONS:

DECK SIZE	LEG POSTS	CARRYING WEIGHT	LOAD CAPACITY
20' segment 4' x 6' x 8'	6	110 lbs.	2659 lbs.

RELATED ACCESSORIES:

- Legs and Couplers
- Casters
- Car Ramps
- Leveling Screwjacks
- Step Units
- Bracing



DESCRIPTION:

24' Diameter Deck. Same construction as standard Steeldeck® platform using steel truss frame with high quality 3/4" plywood tops. Tops are insulated from frames to reduce noise and vibration. Deck will accept 6 legs of 1 1/2" Schedule 40 steel pipe. Legs are held in place by a hand knob. Decks are connected to each other by bolting through pre-drilled holes along straight edges. Four left hand and four right hand decks around eight 4' x 8' decks make a 24' diameter circle. Can be used to round off stage corners.

TECHNICAL SPECIFICATIONS:

DECK SIZE	LEG POSTS	CARRYING WEIGHT	LOAD CAPACITY
24' segment 4' x 8' x 9'	6	125 lbs.	3069 lbs.

RELATED ACCESSORIES:

- Legs and Couplers
- Casters
- Car Ramps
- Leveling Screwjacks
- Step Units
- Bracing